



D 600 APG
D 600 AP
D 700 AP
D 900 AP
D 1000 AP
D 1000 APG



www.ausa.com

AUSA Center, S.L.U. ● Ctra. de Vic, Km 2.8 - P.O.B. 194, 08243 Manresa - BARCELONA (ESPAÑA) Tel.: +34 93 874 73 11 E-mail: ausa@ausa.com

ISO 9001 ISO 14001



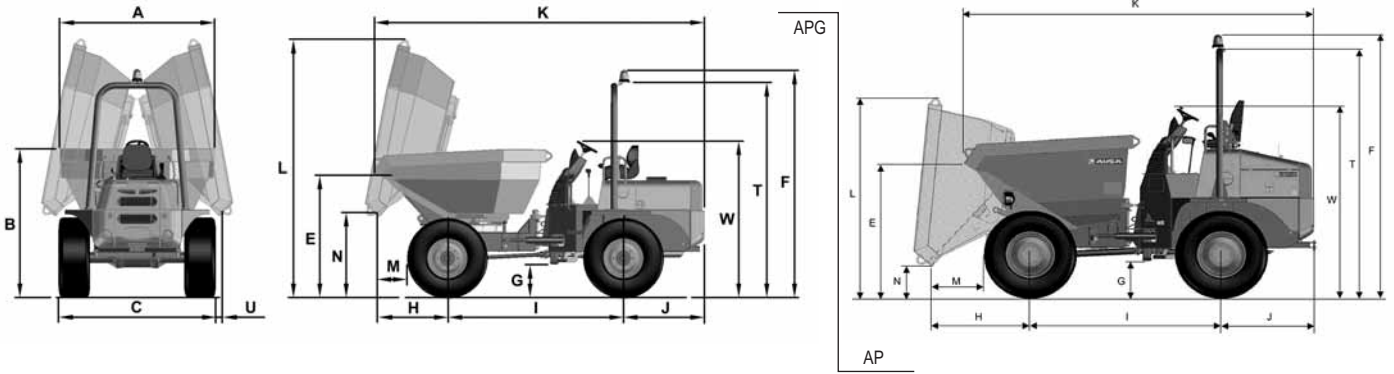
(Sede central AUSA-Manresa)

AUSA Madrid ● Pol. Ind. Coslada-Marconi 15-17, 28823 Coslada - MADRID (ESPAÑA) Tel.: +34 91 669 00 06 E-mail: ausa.madrid@ausa.com
AUSA France ● Z. I. Saint Charles-Rue de Zürich, 66000 PERPIGNAN (FRANCE) Tel.: +33 (0) 4 68 54 38 97 E-mail: ausa.france@ausa.com
AUSA ● Unit 16 Hollows Works - Shawlough Road - Rochdale - Lancs OL12 6LN (U.K.) Tel.: +44 (0) 1706 64 96 91 E-mail: ausa.uk@ausa.com
AUSA Repräsentanzbüro Deutschland ● Heinrich - Welken Str. 5, 59069 HAMM - RHYNERN (GERMANY) Tel.: +49 2385922245 E-mail: ausa.deutschland@ausa.com
AUSA Northamerica Corp. ● 2655 Le Jeune Road - Suite 808, CORAL GABLES FL 33134 (USA) Toll free: 1 800 820 AUSA E-mail: ausa.corp@ausa.com
BEIJING Rep. Office ● Address Room 527, HengXiang Building, Tuanjiehu Nanli, Chaoyang District. - Beijing 100026 CHINA
 Tel: 86-10-8597 1983 - Fax: 86-10-8597 1993 - E-mail: ausa.china@ausa.com



D 600 APG _6.000 kg
D 600 AP _6.000 kg
D 700 AP _7.000 Kg
D 900 AP _9.000 Kg
D 1000 AP _10.000 Kg
D 1000 APG _10.000 Kg

DIMENSIONS (mm)	D 600 APG	D 600 AP	D 700 AP	D 900 AP	D 1000 AP	D 1000 APG
A	2150	2295	2405	2480	2480	2480
B	2070	1960	1960	2190	2380	2385
C	2190	2190	2190	2440	2440	2440
E	1790	1730	1730	1820	1820	1950
F	3180	3180	3180	3560	3560	3560
G	475	475	475	490	490	490
H	970	1210	970	1260	1260	1230
I	2450	2450	2450	2450	2450	2450
J	1125	1125	1125	1220	1220	1220
K	4615	4465	4465	4520	4520	4990
L	3600	2680	2680	2640	2710	3820
M	415	650	650	665	665	630
N	1200	455	455	430	430	1100
T	3000	3000	3000	3375	3375	3375
U	90	-	-	-	-	110
W	2190	2190	2190	2550	2550	2550



TECHNICAL SPECIFICATIONS

	D 600 APG	D 600 AP	D 700 AP	D 900 AP	D 1000 AP	D 1000 APG	
Load capacity (centre of gravity at 1ft 7.6 in) (Kg)	6000	6000	7000	9000	10000	10000	
Unloading system	Hydraulic, 180° side rotating		Hydraulic, frontal			Hydraulic, 180° side rotating	
Chassis	Articulated and oscillating						
Hopper capacities (l)	Water	1640	1948	2048	2440	2491	
	Levelled	2603	2647	2827	3665	3941	
	Heaped	3132	3291	3521	5040	5944	
Engine	Diesel	KUBOTA V3300T			KUBOTA V3800 DI T		
	Power acc./DIN 6270 B (KW/HP)	63 / 86 (2600 rpm)			72 / 96,5 (2600 rpm)		
	Power acc./DIN 70020 (KW/HP)	69 / 93 (2600 rpm)			78 / 105 (2600 rpm)		
	N° of Cylinders	4					
	Cooling system	Water					
Traction	4 x 4 permanent						
Transmission	Torque converter with synchronized gear box. 4 ratios forwards and 4 ratios backwards by means of an electro-hydraulic device. Planetary reduction axles besides differential.						
Engine starting system	Electric						
Speed (max.) (km/h)	35			40			
Unladen weight (Kg)	4380	4200	4200	4700	4760	4990	
Gradient negotiable (with full load)	60%						
Hydraulic circuit	Gear pump of 25 cc. Working pressure 180 bar.						
Tyres	Front	405/70-20" (14 PR)			500/60-22,5" (16PR")		
	Rear	405/70-20" (14 PR)			500/60-22,5" (16PR")		
External turning circle	5700				5950		
Steering	Hydraulic Working pressure 115 bar						
Tank capacity (l)	Fuel	70				65	
	Hydraulic fluid	65				65	
Service brake	Oil-immersed, multidisc, hydraulically operated						
Parking brake	Oil-immersed, multidisc, mechanically operated						

STANDARD EQUIPMENT

Retracted ROPS protection
Anti vandal system
Ergonomic seat
Seat belt
Rotating beacon
Audible reverse warning

OPTIONAL EQUIPMENT

Lighting equipment