



D 85 AHA
D 100 AHA
D 120 AHA

D 85 AHG
D 120 AHG
D 150 AHG



www.ausa.com

AUSA Center, S.L.U. ● Ctra. de Vic, Km 2.8 - P.O.B. 194, 08243 Manresa - BARCELONA (ESPAÑA) Tel.: +34 93 874 73 11 E-mail: ausa@ausa.com



ISO 9001

ISO 14001



(Sede central AUSA-Manresa)

AUSA Madrid ● Pol. Ind. Coslada-Marconi 15-17, 28823 Coslada - MADRID (ESPAÑA) Tel.: +34 91 669 00 06 E-mail: ausa.madrid@ausa.com

AUSA France ● Z. I. Saint Charles-Rue de Zürich, 66000 PERPIGNAN (FRANCE) Tel.: +33 (0) 4 68 54 38 97 E-mail: ausa.france@ausa.com

AUSA ● Unit 16 Hollows Works - Shawclough Road - Rochdale - Lancs OL12 6LN (U.K.) Tel.: +44 (0) 1706 64 96 91 E-mail: ausa.uk@ausa.com

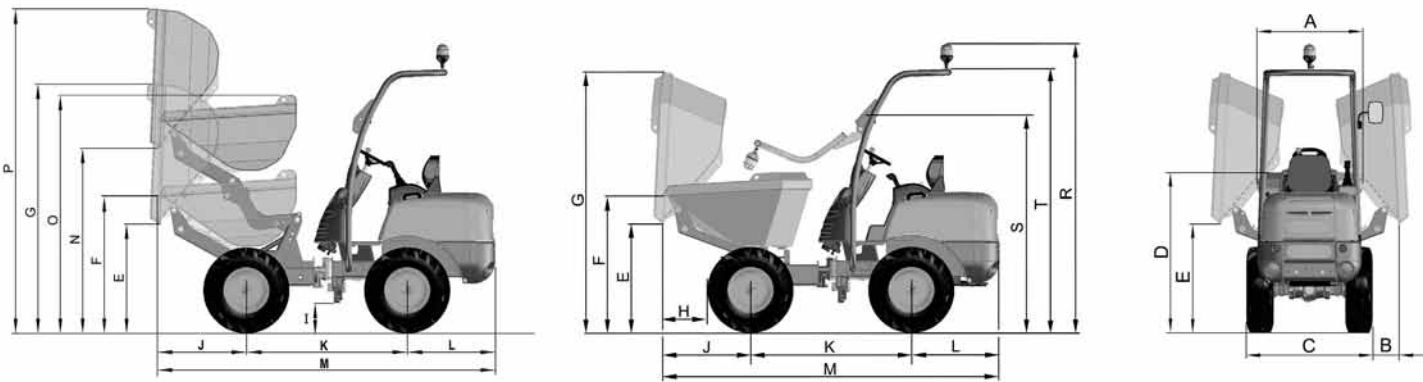
AUSA Repräsentanzbüro Deutschland ● Heinrich - Welken Str. 5, 59069 HAMM - RHYERN (GERMANY) Tel.: +49 2385922245 E-mail: ausa.deutschland@ausa.com

AUSA Northamerica Corp. ● 2655 Le Jeune Road - Suite 808, CORAL GABLES FL 33134 (USA) Toll free: 1 800 820 AUSA E-mail: ausa.corp@ausa.com

BEIJING Rep. Office ● Address Room 527, HengXiang Building, Tuanjiehu Nanli, Chaoyang District. - Beijing 100026 CHINA
Tel: 86-10-8597 1983 - Fax: 86-10-8597 1993 - E-mail: ausa.china@ausa.com

	DIMENSIONS (mm)	D 85 AHA	D 100 AHA	D 120 AHA	D 85 AHG	D 120 AHG	D 150 AHG
A		990	990	1190	990	1190	1391
B		-	-	-	350	245	100
C		1015	1215 (1125 *)	1200	1015	1200	1450
D		1435	1440	1485	1420	1470	1500
E		930	935	980	970	1020	1030
F		1225	1230	1275	1225	1275	1275
G		2230	2235	2280	2380	2430	2525
H		495	485	440	490	435	435
I		215	220	265	215	265	275
J		822	822	822	804	804	820
K		1500	1500	1500	1500	1500	1600
L		820	820	820	820	820	820
M		3142	3142	3142	3124	3124	3240
N		1630	1635	1680	-	-	-
O		2130	2135	2180	-	-	-
P		2930	2935	2980	-	-	-
R		2600	2605	2650	2600	2650	2600
S		1950	1955	2000	1950	2000	2015
T		2370	2375	2420	2370	2420	2450

* with optional tyres



TECHNICAL SPECIFICATIONS		D 85 AHA / D 100 AHA / D 120 AHA	D 85 AHG / D 120 AHG	D 150 AHG
Load capacity (Kg)		850 / 1000 / 1200	850 / 1200	1500
Unloading system		Hydraulic tipping.	Hydraulic, 180° rotating.	Hydraulic, 180° rotating.
Chassis		Articulated +/- 35° and oscillating +/- 13°.		
Hopper capacities (l)		Water Levelled Heaped	345 / 345 / 425 395 / 395 / 515 505 / 505 / 680	325 / 415 390 / 495 510 / 670
Engine		Diesel Power acc./DIN 70020 (KW/HP) N° of Cylinders Cooling system	Kubota D1105 18,9 / 25,3 3 Water	Kubota D1105 18,9 / 25,3 3 Water
Traction		4 x 4 permanent		
Transmission		Hydrostatic with variable flow pump and automatic regulation. Forward and reverse control on the joystick.		
Engine starting system		Electric		
Speed (max.) (Km/h)		14 / 15 / 17	14 / 17	17
Axles		Axles with planetary wheel reduction		
Unladen weight (Kg)		1300 / 1300 / 1375	1300 / 1375	1510
Gradient negotiable (with full load)		43% / 38% / 48%	43% / 48%	40%
Hydraulic circuit		Gear pump of 8 cc. Working pressure 170 bar.		
Tyres		Standard Optional (D100AHA-AHG)	7.00-12" / 11.0/65-12 / 10.0/75-15.3" - / 27x8.50-15" / -	7.00-12" / 10.0/75-15.3" 10.0/75-15.3" -
External turning circle (mm)		3060	3060	3260
Steering		Hydraulic		
Tank capacity (l)		Fuel Hydraulic fluid	23 21.2	23 21.2
Service and parking brake		Sealed oil-immersed, multidisc, mechanically operated		

STANDARD EQUIPMENT
Anti vandal system
Ergonomic seat
Seat belt
Joystick
ROPS
Rotating beacon
Rear view mirror

OPTIONAL EQUIPMENT
FOPS overhead guard
Lighting equipment
Audible reverse warning (Std. UK)