



FPU-18

FPU-22

Fixed Pulverizer

For 18 to 35 t carriers



Fixed Pulverizer

For 18 to 35 t carriers

Applications:

Famous for their productivity, Fixed Pulverizers are used in:

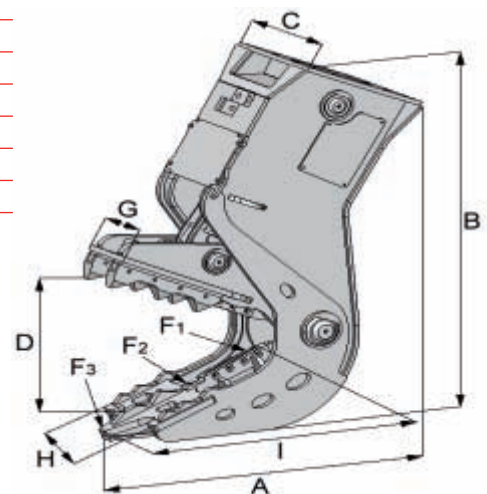
- ▶ Primary demolition: electric poles, flooring, urban walls, etc.
- ▶ Secondary demolition: separation or reduction of demolished material to facilitate loading and transportation
- ▶ Recycling: separating rebars from concrete

Advantages:

- ▶ High clamping force
- ▶ Wide jaw opening from 90,3 to 101,7 cm
- ▶ Increased durability with a complete structure made in Hardox 400
- ▶ Easy maintenance with removable and exchangeable teeth and with well protected piping and cylinders
- ▶ Blades for cutting rebars
- ▶ Speed valve for shorter work cycles
- ▶ Contributes to reduce extra costs such as transport, storage or special permits



MODEL		FPU-18	FPU-22
A	mm	1650	1765
B	mm	2180	2313
C	mm	650	650
D	mm	903	1017
F1	ton	235	270
F2	ton	120	137
F3	ton	72	94
G	mm	290	350
H	mm	480	530
I	mm	900	990
Open/Close Flow	l/min	180/230	250/300
Open/Close Pressure	bar	350	350
Weight	kg	2040	2575
Excavator Weight	ton	18/28	22/35
Rebars Diameter	mm	40	40



Nothing contained in this brochure is intended to extend any warranty or representation expressed or implied, regarding the products described herein. Any such warranties or other terms and conditions of sale products shall be in accordance with Ingersoll Rand standards terms and conditions of sales for such products, which are available upon request. Specifications and machines can be modified at any time and without notice.



Montabert SAS

203, route de Grenoble
69800 St Priest, France

Tel. +33-(0)4 72 22 97 97 Fax. +33-(0)4 72 22 97 56

montabert_marketing@eu.irco.com

www.montabert.com