



**X 500 RM**  
**X 500 RM x4**



**X 1100 RH**



[www.ausa.com](http://www.ausa.com)

**AUSA Center, S.L.U.** ● Ctra. de Vic, Km 2.8 - P.O.B. 194. 08243 Manresa - BARCELONA (ESPAÑA) Tel.: +34 93 874 73 11 - E-mail: [ausa@ausa.com](mailto:ausa@ausa.com)

ISO 9001      ISO 14001

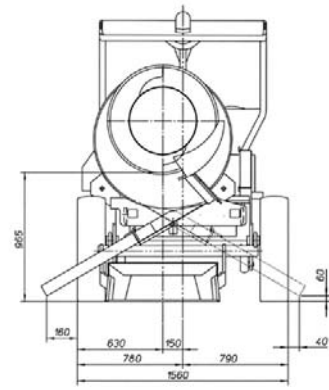
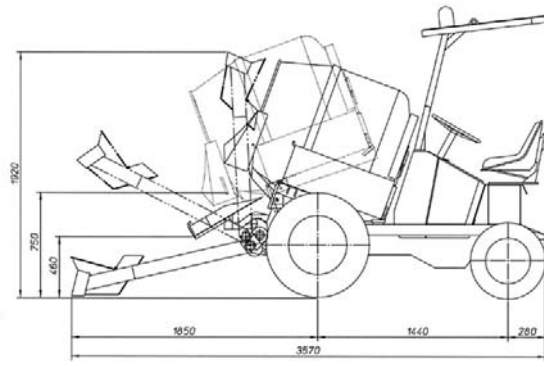


(Sede central AUSA-Manresa)

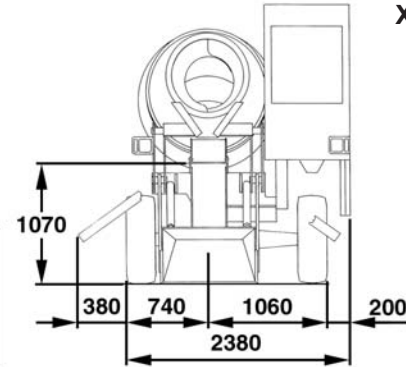
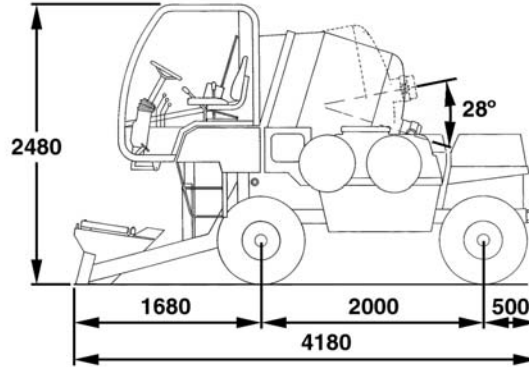
- AUSA Madrid** ● Pol. Ind. Coslada - C. Marconi 15-17. 28823 Coslada - MADRID (ESPAÑA) Tel.: +34 91 669 00 06 - E-mail: [ausa.madrid@ausa.com](mailto:ausa.madrid@ausa.com)
- AUSA France** ● Z. I. Saint Charles - Rue de Zürich, 66000 PERPIGNAN (FRANCE) Tel.: +33 (0) 4 68 54 38 97 - E-mail: [ausa.france@ausa.com](mailto:ausa.france@ausa.com)
- AUSA Deutschland** ● Heinrich - Welken Str. 5. 59069 HAMM (GERMANY) Tel.: +49 (0) 2385-9359362 - E-mail: [ausa.deutschland@ausa.com](mailto:ausa.deutschland@ausa.com)
- BEIJING Rep. Office** ● Address Room 527. HengXiang Building, Tuanjiehu Nanli, Chaoyang District. - BEIJING 100026 (CHINA)  
Tel.: 86-10-8597 1983 - Fax: 86-10-8597 1993 - E-mail: [ausa.china@ausa.com](mailto:ausa.china@ausa.com)
- AUSA UK** ● Tel.: 07970639988 - E-mail: [ausa.uk@ausa.com](mailto:ausa.uk@ausa.com)
- AUSA Brasil** ● Tel.: +55 51 33622111 - E-mail: [ausa.brasil@ausa.com](mailto:ausa.brasil@ausa.com)
- AUSA Mexico** ● Gustavo Baz, 47. 53489 Naucalpan de Juarez, Edo. de México (MÉXICO) Tel.: +55 2166-9066 - E-mail: [ausa.mexico@ausa.com](mailto:ausa.mexico@ausa.com)



X 500 RM\_500 I  
 X 500 RM x4\_500 I  
 X 1100 RH\_1100 I



X 500 RM /x4



X 1100 RH

TECHNICAL SPECIFICATIONS		X 500 RM / x4	X 1100 RH
Mixing capacity (l)		500 l.	1100 l.
Drum	Loading system	Self-loading arms. Rigid 60 litre bucket, with gravity opening to optimise dosing.	Self-loading arms. Rigid 150 l bucket, with hydraulic opening to optimise dosing.
	Discharge system	By counter-rotation and elevation, through a chute with a discharge arc of 190° and a reach of 790 mm.	By counter-rotation and elevation, at a height of 1070 mm by means of fixed gutter of quick positioning, regulable and with a reach of 1.1m, within a 170° arc rotation.
Engine	Diesel	HATZ Supra Diesel	ISUZU 4LE2 Tier II
	Power (KW/CV)	11,3 / 15,35 ( DIN 70020 )	38 / 51.7 (SAE J 1995)
	N. of cylinders	1	4
	Cooling	Air	Liquid
Traction		4x2 / 4x4 front axle	4 x 4
Transmission		Mechanical 4 forward gears and 4 reverse gears. Rigid front drive axle and oscillating rear drive steering.	2-speed hydrostatic. Electric gear inverter. Rigid front drive axle and oscillating rear steering.
Unladen weight (Kg)		1500	2600
Gradeability		25%	32%
Max. speed (Km/h)		22	20
Starting		Electric	Electric
Tyres		7.50-16(8 PR) front / 145 R-13 (LS) rear	10.0/75-15.3 (14 PR)
Steering		Hydraulic.	Hydraulic.
		Working pressure: 60 bar.	Working pressure 70 bar.
External turning radius (mm)		3470	4665
Tank capacities (l)	Fuel	13,5	40
	Hydraulic	16,5	100
	Water	-	400
Service brake		Hydraulic front axle assembly	Hydraulic, drum-type, on front driving pinion. Hydraulically actoned
Parking brake		Mechanical on front axle assembly	Mechanical drum brake on the front axle itself.
Hydraulic circuit		8 cc gear pump. Working pressure 120 bar.	10.6 and 8 cc gear pump Working pressure 160 bar
Water circuit		-	Suction-impeller pump with a circuit for loading directly from a tank or external outlet. Hose system for cleaning the drum. Counter-liters.
Operator's placement		-	Advanced operator position within 180° visibility for loading, unloading and mix control.

STANDARD EQUIPMENT

Lockable engine compartment	Semiclosed cabin with frontal, lateral and rear windscreen Windscreen wiper Ergonomic seat & safety belt Rotating beacon Left and right rear view mirrors Antivandalic system Audible reverse warning
-----------------------------	---

OPTIONAL EQUIPMENT

ROPS/FOPS protective roof with rotating lamp Front windscreen with windscreen wiper 1047 l hopper with 60 l self-loading bucket. Electrical lighting equipment Rear tyres: 155 SR 13 (LS), 5.00 - 12 (4x4) (TT) 4PR 6.5/80-12 (4x4)(TT), 4PR	Homologated lighting system
--	-----------------------------

AUSA reserves the right to make any changes in the specifications without prior notice.